

SIZE P560

Power Range 3kW-10kW



“Application Engineering Experts”

CUSTOM IS STANDARD

Total output power (31VDC@100A)	3.1kW	Pri-sec turns ratio	16:2+2
Operating frequency	50 kHz	Dielectric strength	
Input voltage range	405-495 VDC	Pri-sec/pri-core	3,000 VDC
Topology	Full Bridge	Isolation sec-core	500 VDC
Max volt-µsec product	5081	Ambient temperature	60 °C
Duty cycle	63 %	Total losses	15.6 W
Primary current	10.7 Arms	Hot spot temperature	114 °C
Secondary current	56.1 Arms	Approx. Weight	480 grams

Notes: Assumes transformer is cooled by a coldplate @ 75°C max.

:: DESIGN EXAMPLE ::

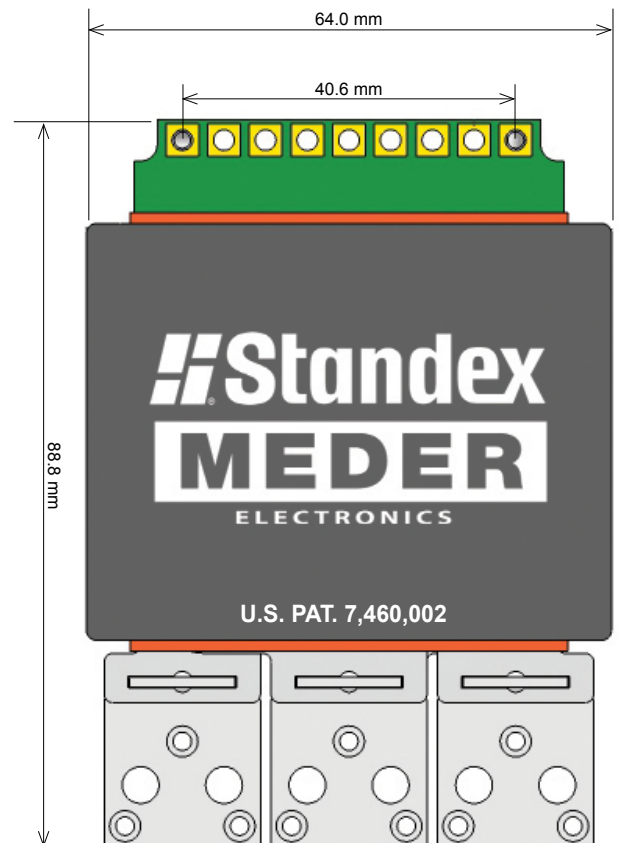
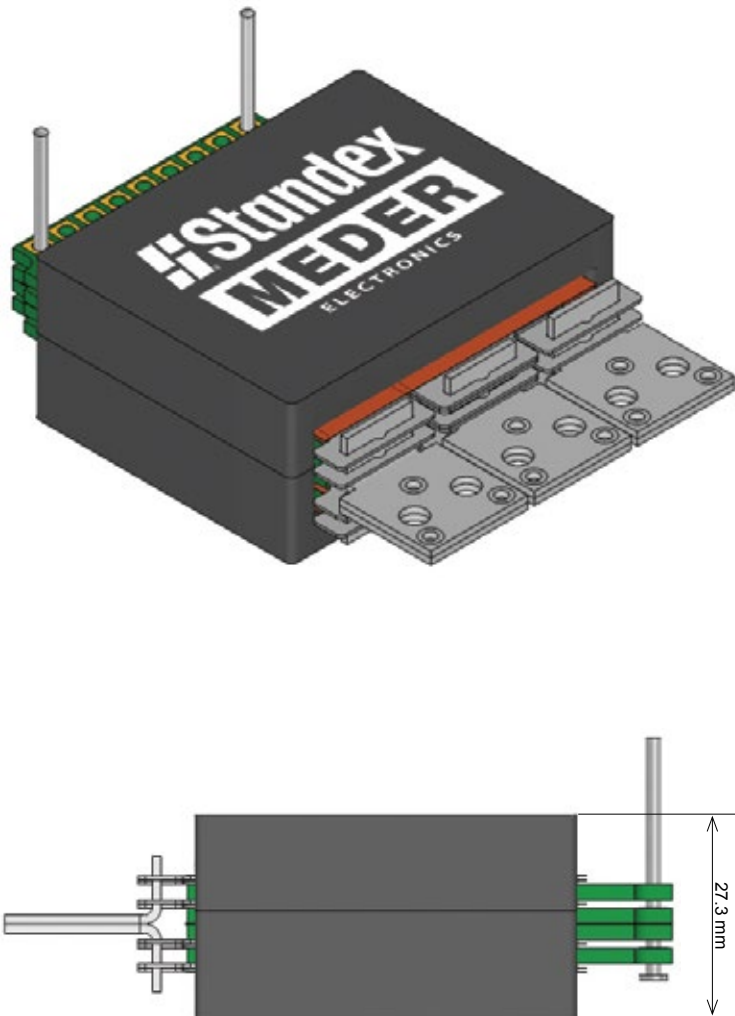
Highlights

- Patented (**U.S. Patent 7,460,002**) terminals offer mechanical strength and very low resistance
- High efficiency (low losses), ultra compact, low-profile
- Excellent solderability (Pb-free or Pb/Sn Solder)
- Standard sizes / customer configurations
- Quick custom turn-around often without start-up or tooling costs
- Inductors available for design in all packages
- Large secondary pins reduce temperature rise on terminals
- Various terminal options available (SMD, Thru-hole, screw terminals)

Customize beyond these examples!

Rated power 3kW-10kW / Frequency range 40-125kHz
 Topology - Full Bridge, Half Bridge, Full Bridge ZVS, Push-Pull
 Current rating max. 400A
 Isolation voltage pri-sec/pri-core 500- 5,000VDC
 Soft switching, single or multiple outputs
 Different switching frequencies, input/output voltages
 Primary turns - other number (no fractions)
 Secondary Ns1, Ns2 / Ns3 turns 1- 8 (no fractions)
 Thermal solutions heat sinks, etc.

BUS BAR TERMINATION



These models are for reference only and may NOT exactly match the design examples provided.



SIZE P560

Power Range 3kW-10kW

“Application Engineering Experts”

CUSTOM IS STANDARD

Total output power (28VDC@300A)	8.4kW	Pri-sec turns ratio	10:1+1
Operating frequency	50 kHz	Dielectric strength	
Input voltage range	380-410 VDC	Pri-sec/pri-core	3,000 VDC
Topology	Full Bridge	Isolation sec-core	500 VDC
Max volt-µsec product	5785	Ambient temperature	60 °C
Duty cycle	77 %	Total losses	40 W
Primary current	28 Arms	Hot spot temperature	115 °C
Secondary current	186 Arms	Approx. Weight	700 grams

Notes: Assumes transformer is cooled by a coldplate @ 75°C max.

:: DESIGN EXAMPLE ::

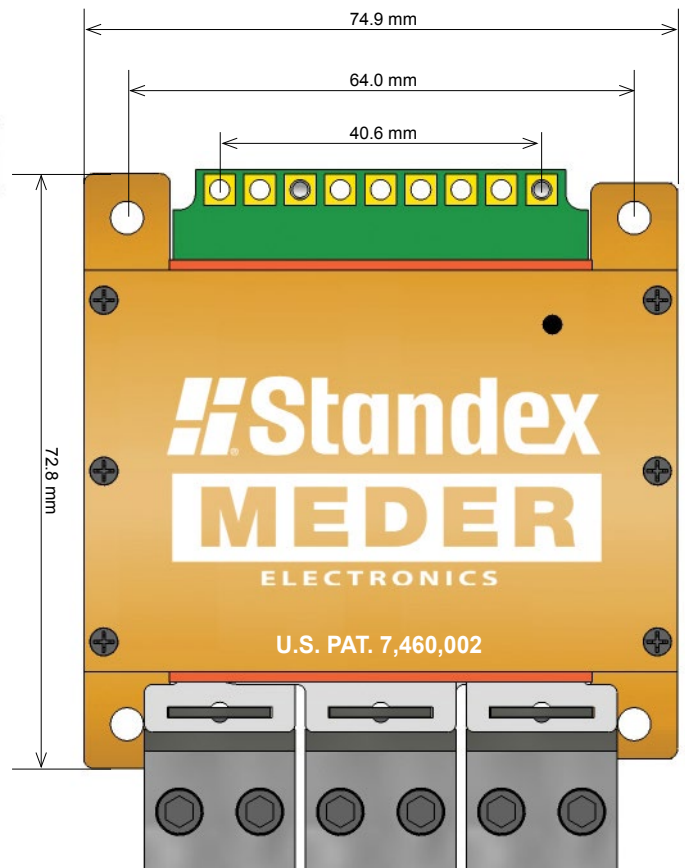
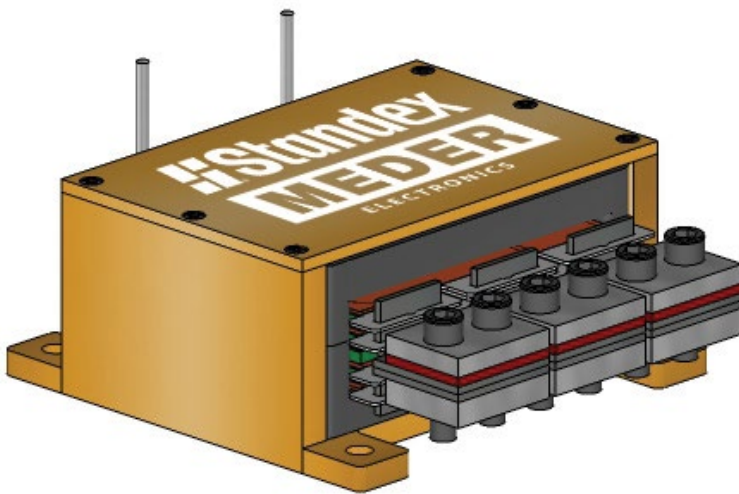
Highlights

- Anodized aluminum heatsinks offering high thermal conductivity and removing heat from windings
- Patented (**U.S. Patent 7,460,002**) terminals offer mechanical strength and very low resistance
- High efficiency (low losses), ultra compact, low-profile
- Excellent solderability (Pb-free or Pb/Sn Solder)
- Standard sizes / customer configurations
- Quick custom turn-around often without start-up or tooling costs
- Inductors available for design in all packages
- Large secondary pins reduce temperature rise on terminals
- Various terminal options available (SMD, Thru-hole, screw terminals)

Customize beyond these examples!

Rated power 3kW-10kW / Frequency range 40-125kHz
 Topology - Full Bridge, Half Bridge, Full Bridge ZVS, Push-Pull
 Current rating max. 400A
 Isolation voltage pri-sec/pri-core 500- 5,000VDC
 Soft switching, single or multiple outputs
 Different switching frequencies, input/output voltages
 Primary turns - other number (no fractions)
 Secondary Ns1, Ns2 / Ns3 turns 1- 8 (no fractions)
 Thermal solutions heat sinks, etc.

BUS BAR TERMINATION



These models are for reference only and may NOT exactly match the design examples provided.